

pasquali 986

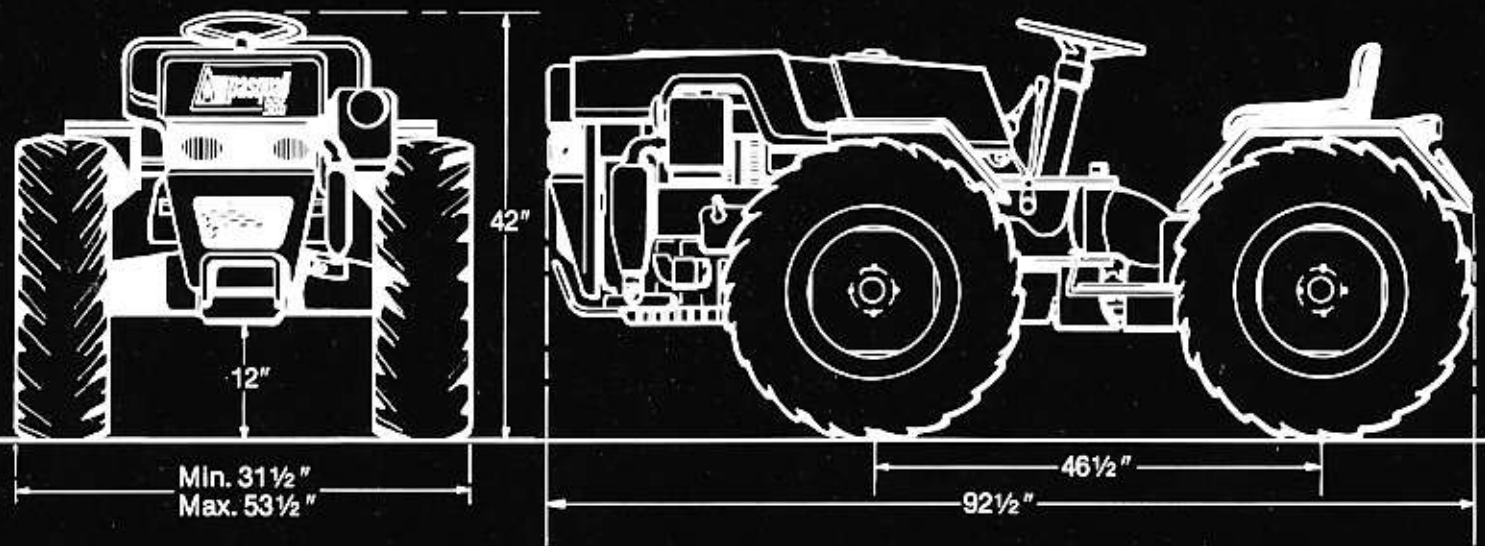


Brute power with **4-wheel drive**

The Model 986 is a compact and maneuverable tractor with the same features as the bigger, more expensive tractors. It can get a lot of work done quickly, efficiently and economically. Fuel is less than half that of a similar class gasoline engine. Quality and, consequently, durability are built into each part that makes up this tractor. With the Model 986 you have a real tractor for gardening, commercial landscaping, hobby farmers, nurseries, and municipalities. Following are some highlights of this tractor:

- 4-wheel drive
- Air cooled diesel engine
- Front differential lock
- Articulation in the middle
- 9 speeds forward . . . 3 reverse
- Speeds from .37 mph to 15.22 mph
- 540 PTO . . . 750 PTO . . . Ground speed PTO
- Over 150 implements to fit tractor

pasquali 986



Model 986 4-Wheel Drive Diesel Tractor Specifications

ENGINE (Diesel)

Model

Lombardini
4 stroke Diesel
Air Cooled
Brake horsepower 21 SAE H.P.
Rated engine speed 3000 rpm
Fuel economy 2300 rpm
Peak torque 2300 rpm
No. cylinders 1
Displacement 43.14 in³
Bore and stroke 3.94 x 3.55

POWER TRAIN

TRANSMISSION

Sliding type key gear
with synchronizer.
9 speeds forward
3 reverse speeds

DIFFERENTIAL

Differential on both axles.
Differential lock on front axle.

CLUTCH

8" diameter
Single dry disc

PTO

Two PTO speeds
540 rpm
750 rpm
PTO can also be synchronized
with all tractor speeds.

HYDRAULIC LIFT

Independent hydraulic lift system.
Direct drive, gear type pump.
Hitch 3-point linkage
System Category I
Position control Yes
Remote valve Optional

STEERING

Articulated in center with worm
gear oil bath steering. Power
steering (opt.) — Twin cylinder,
full hydraulic control.

ELECTRICAL

Battery 12 volt, 92 amp hour
Starter 12 volt
Headlights 2
Running lights 2 Front
2 Rear

BRAKES

Mechanical brakes on rear axle.
Hand brake also comes as
standard equipment — it
operates independent of the
main braking system.

MPH at rated engine RPM (3000)

	Range	Gear	MPH
Speeds:	Low	1st	.37
		2nd	.62
		3rd	1.43
		Reverse	.93
Medium		1st	1.06
		2nd	1.68
		3rd	3.73
		Reverse	2.55
High		1st	4.23
		2nd	6.84
		3rd	15.22
		Reverse	10.25

DIMENSIONS

Wheel Base 46 1/2"
Maximum Height 42"
Length 92 1/2"
Weight 1609 lbs.
Tires 6.50 x 16
(Front & Rear)

TREAD ADJUSTMENT

Minimum 31 1/2"
Maximum 53 1/2"
(variable increments)

The above specifications are subject to change without notice.